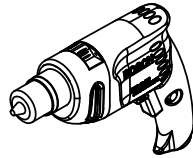


RESIDENTIAL PRODUCTS

Stacking Kit Installation

CAUTION: These cabinets are extremely heavy. Ensure that you have enough people on hand to help in repositioning of the units so that it can be done safely and without damage.

Tools Required



Drill



5/32" Drill Bit



Phillips Screwdriver

Parts Required

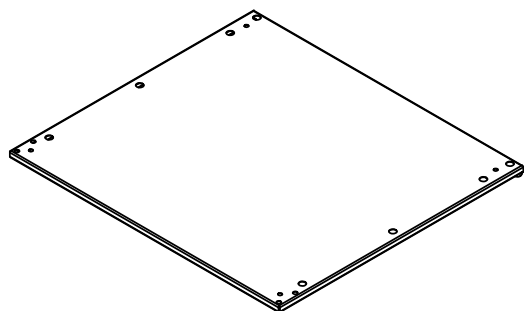
Part Number	Description	MODEL				
		HP15	HP24	HH24	HP48	HP72
63965	LATCH STRIKE	2	2	2	4	6
65700-2	15" Grille	1				
65733-4	24" Grille		1	1	2	3
68094-15	15" Mounting Plate	1				
68094-24	24" Mounting Plate		1			
68094-24x18	24"x18" Mounting Plate			1		
68094-48	48" Mounting Plate				1	
68094-72	72" Mounting Plate					1
C31323	Bumper, Adhesive Poly	4	4	4	8	12
M00885-189	1/4-20 X 1/2" MACHINE SCREW	4	4	4	6	6
M50050-466	#10 X 1/2" SHEET METAL SCREW	2	2	2	5	5

1/4-20 X 1/2" MACHINE SCREW 

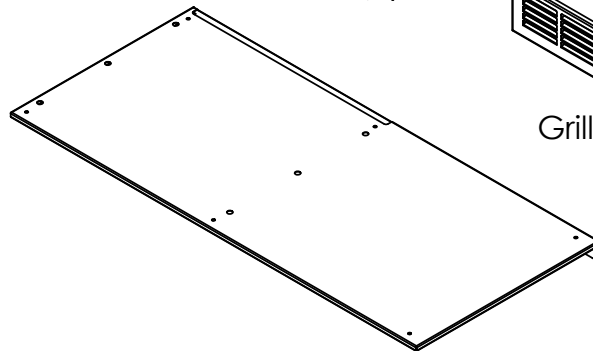
#10 X 1/2" SHEET METAL SCREW 

BUMPER, ADHESIVE POLY 

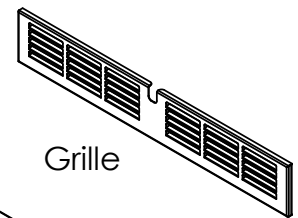
LATCH STRIKE 



15" & 24" Mounting Plate



48" & 72" Mounting Plate



Grille

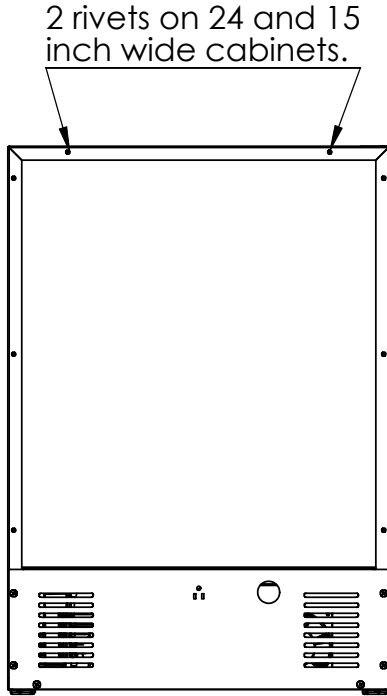


8300 W. Good Hope Rd. Milwaukee, WI 53223 Phone: (414)353-7060 Fax: (414)-353-7069 perlick.com
Perlick is committed to continuous improvement. Therefore, we reserve the right to change specifications without warning

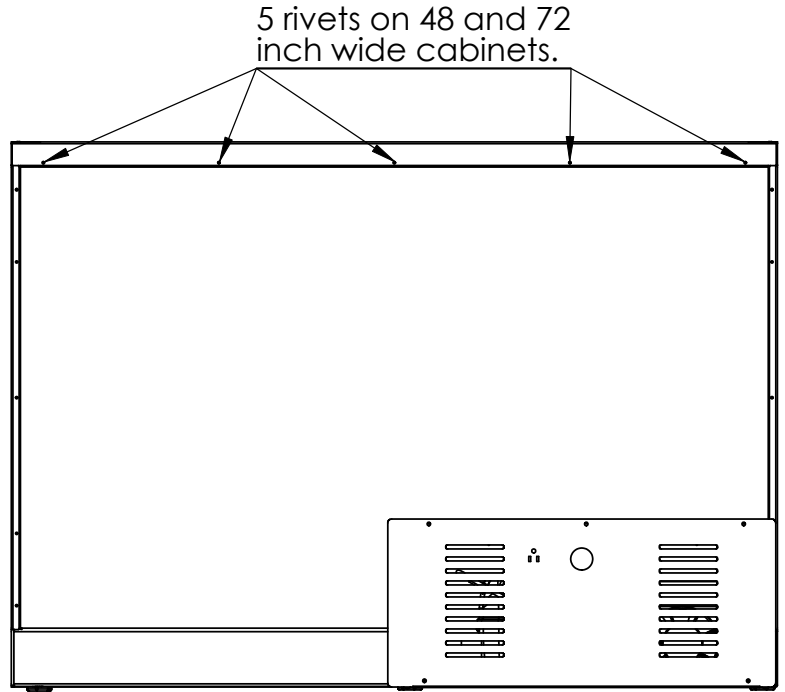
RESIDENTIAL PRODUCTS

Stacking Kit Installation

Step 1: Drill out top row of rivets along back of the bottom cabinet using 5/32" drill bit.

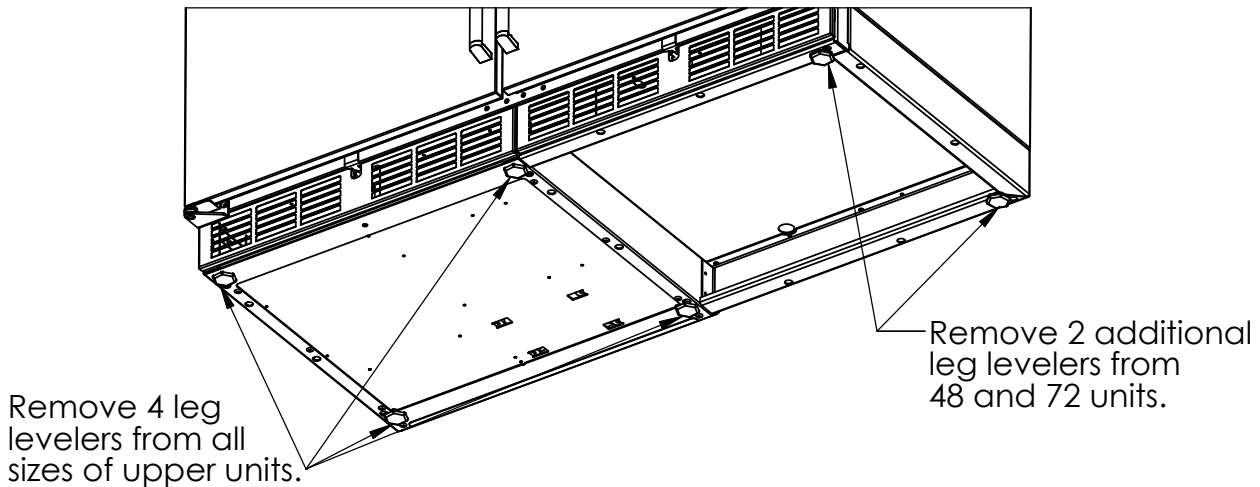


Back View



Back View

Step 2: Lay upper cabinet on its back and remove leg levelers and grille(s) from unit.

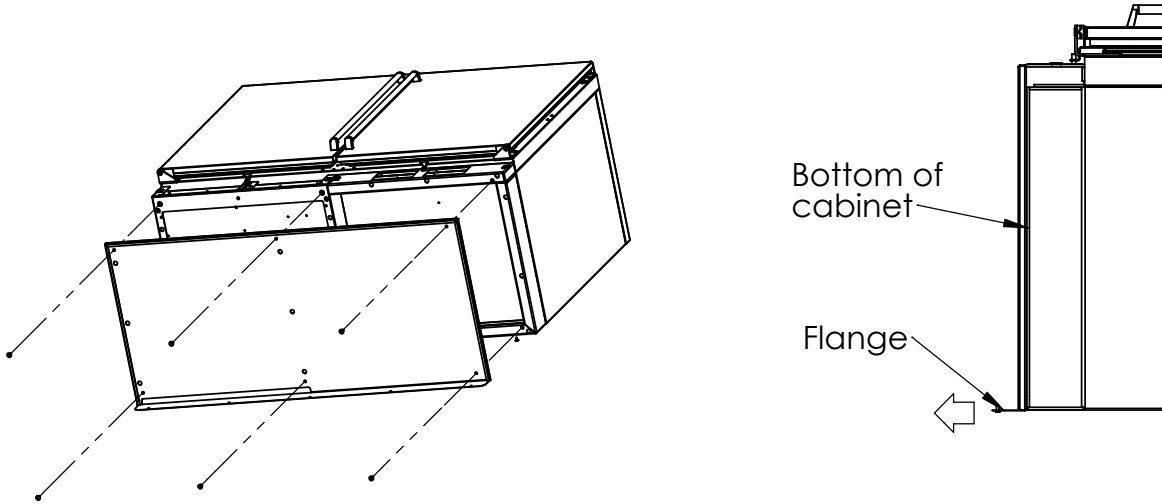


8300 W. Good Hope Rd. Milwaukee, WI 53223 Phone: (414)353-7060 Fax: (414)-353-7069 perlick.com
Perlick is committed to continuous improvement. Therefore, we reserve the right to change specifications without warning

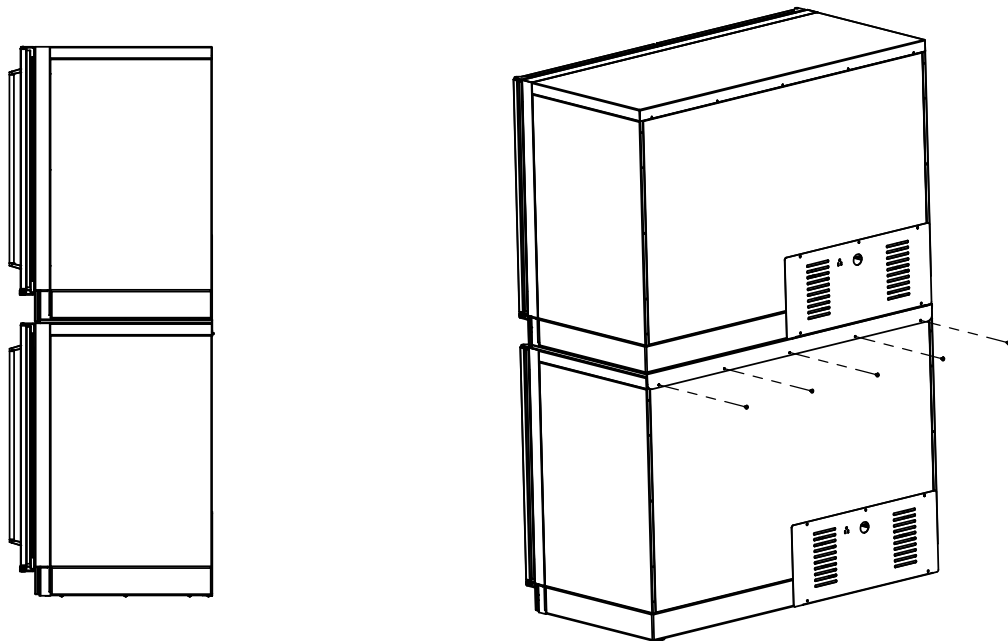
RESIDENTIAL PRODUCTS

Stacking Kit Installation

Step 3: Attach mounting plate (where the leg levelers were removed in step 2) by using 1/4-20 machine screws. Flange should be pointing away from the bottom of the unit.



Step 4: Place upper unit on top of lower unit and attach using #10 sheet metal screws (where the rivets were drilled out in step 1).



RESIDENTIAL PRODUCTS

Stacking Kit Installation

Step 5: Attach -4- bumpers and -2- latch strikes to each new grille.
Orient tabs vertically. Attach grille assembly to upper unit.
Move stacked assembly into final position by pushing lower unit.

